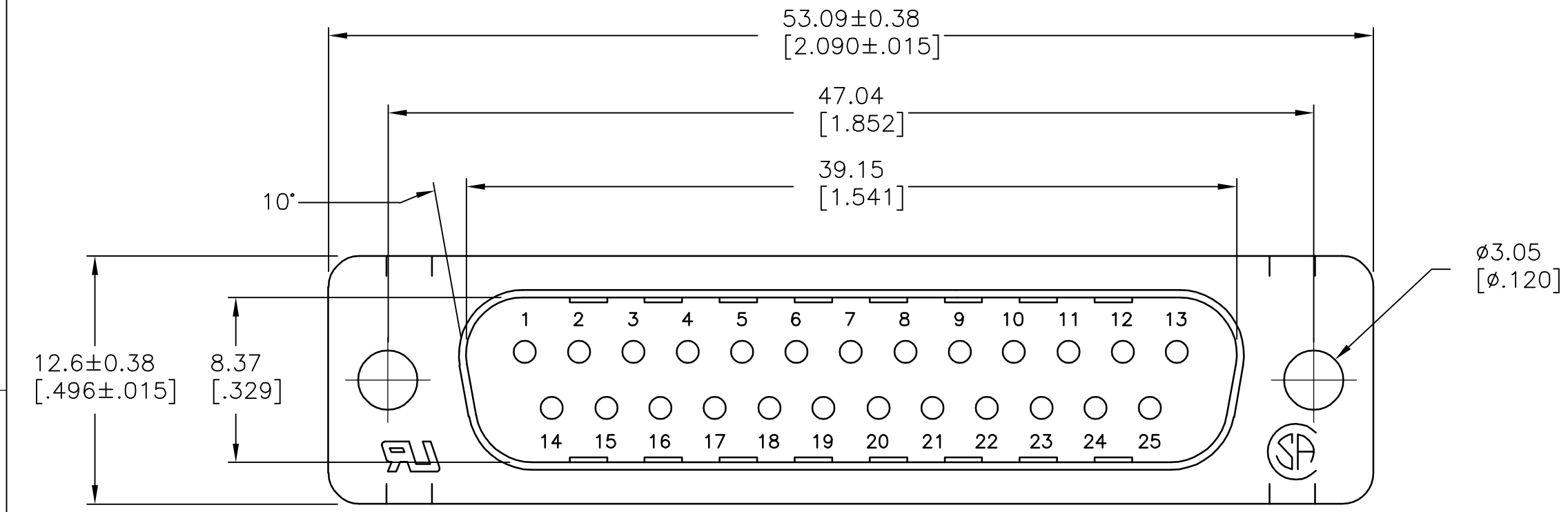
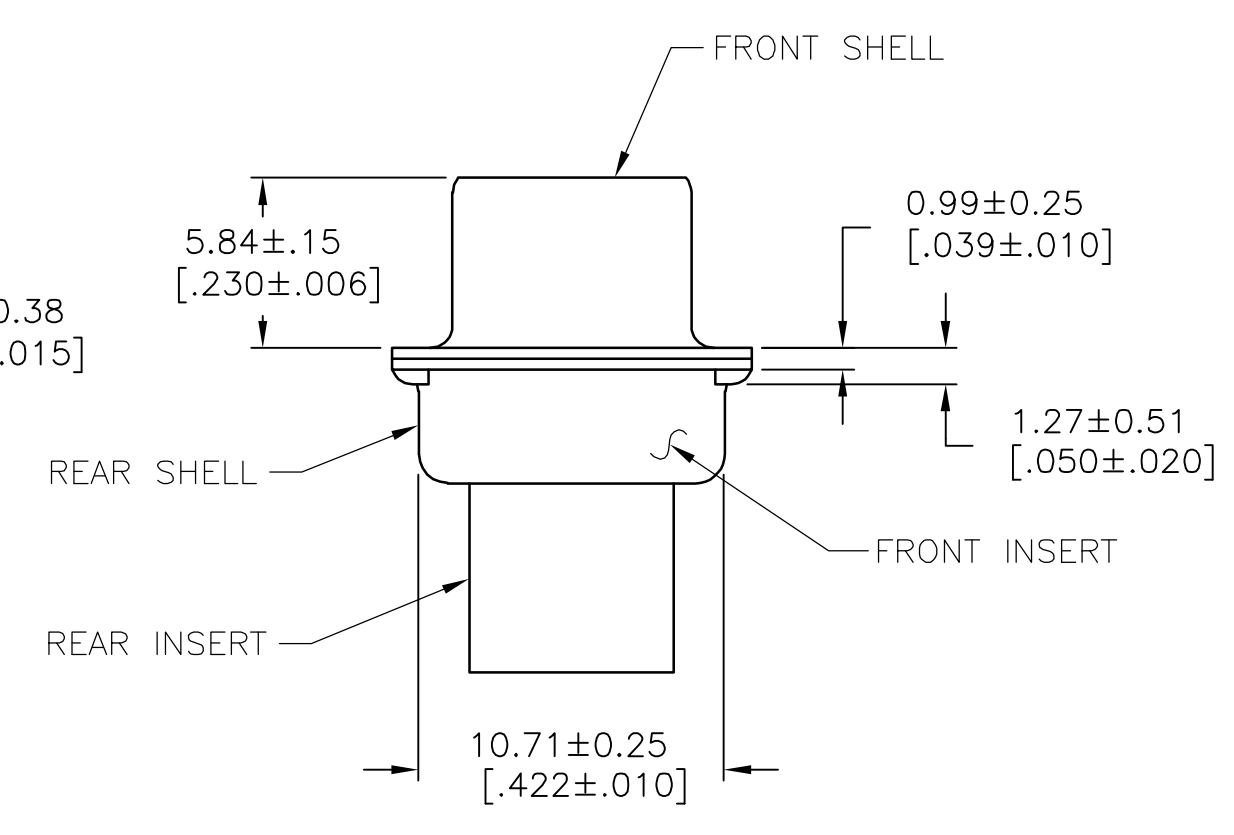
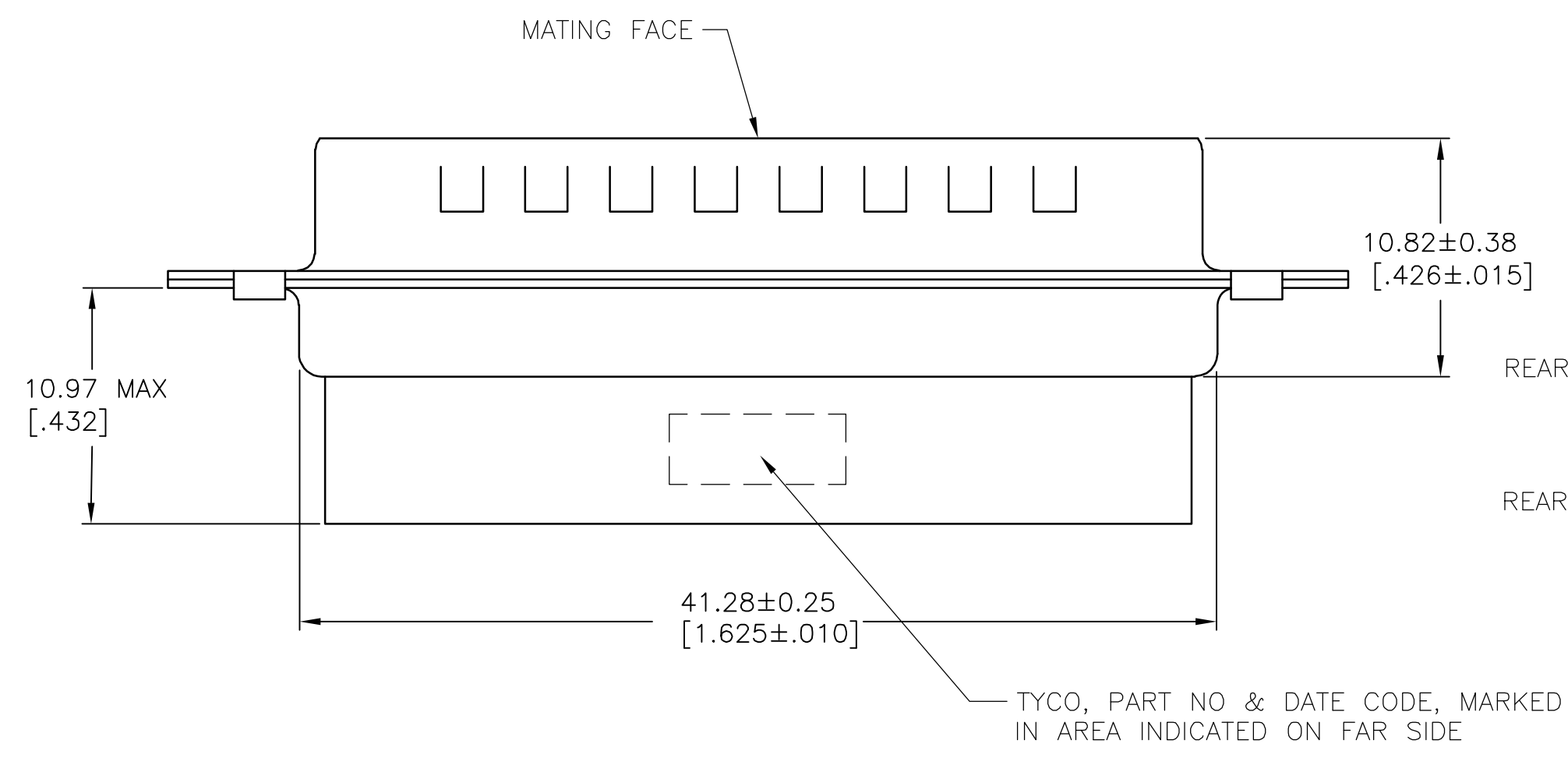


THIS DRAWING IS UNPUBLISHED. RELEASED FOR PUBLICATION
 © COPYRIGHT 2006 BY TYCO ELECTRONICS CORPORATION. ALL RIGHTS RESERVED.

LOC	DIST	REVISIONS			
P	LTR	DESCRIPTION	DATE	DWN	APVD
GP	00	A	RELEASED PER PPR 100-05	27MAR06	JG CR



- 1. INSERTS: FLAME RETARDANT GLASS FILLED NYLON, UL94V-0 RATED, COLOR BLACK. SHELLS: CARBON STEEL.
- 2. SHELLS: 0.00254[.000100] MIN TIN OVER 0.00051[.000020] MIN NICKEL OVER 0.00254[.000100] MIN COPPER.
- 3. CONNECTOR ACCEPTS SIZE 20 DF PIN CONTACTS. RETENTION TINES ARE AN INTEGRAL PART OF INSERT.



1888307

1888307-1
PART NUMBER

THIS DRAWING IS A CONTROLLED DOCUMENT.		DWN J.GERACE 28MAR06		Tyco Electronics Corporation Harrisburg, Pa 17105-3608	
DIMENSIONS: mm[INCHES]		CHK C.ROHDE 27AMR06		NAME M.WALMSLEY	
TOLERANCES UNLESS OTHERWISE SPECIFIED:		APVD M.WALMSLEY 27MAR06	PRODUCT SPEC 108-40005		
0 PLC ± -		APPLICATION SPEC 114-40030			
1 PLC ± -		SIZE A2			
2 PLC ± -		CAGE CODE 00779			
3 PLC ± 0.13[.005]		DRAWING NO G-1888307			
4 PLC ± - ± 2'		RESTRICTED TO -			
ANGLES ± - ± 2'		WEIGHT -			
MATERIAL		CUSTOMER DRAWING			
FINISH		SCALE 4:1 SHEET 1 OF 1 REV A			